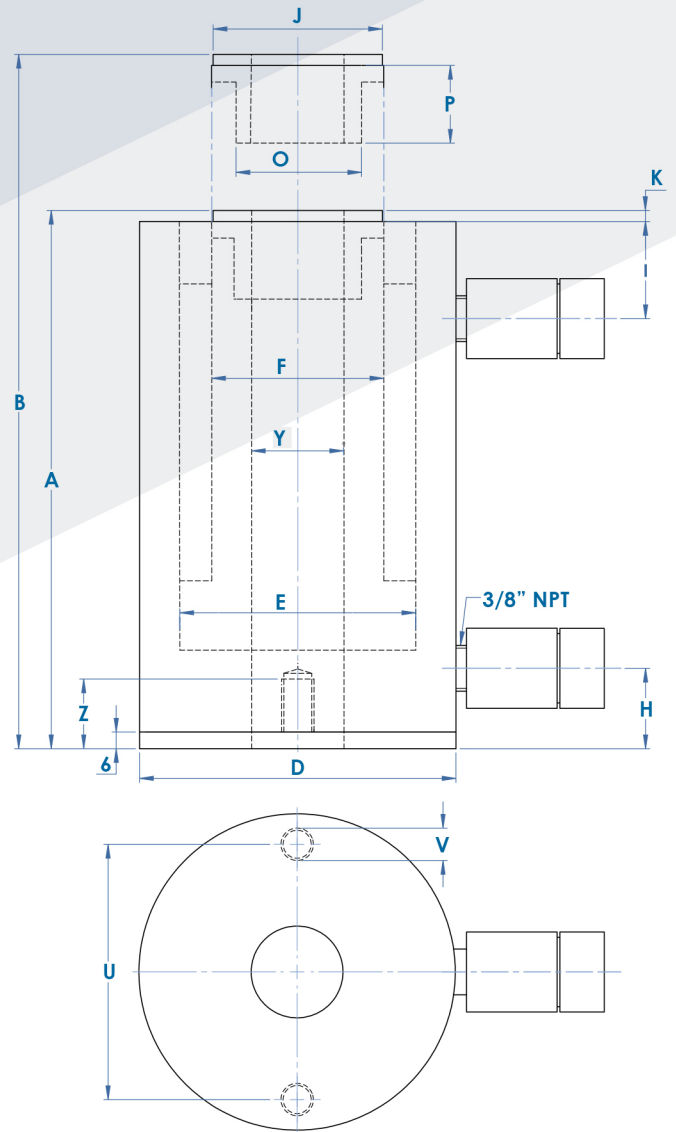


HOLLOW DOUBLE-ACTING

DHA

SERIES

42



ALUMINIUM CYLINDER HOLLOW DOUBLE-ACTING

DHA

- Light, hollow-piston cylinders designed for traction and thrust jobs.
- Double-acting for quick retraction.

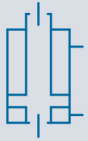


Threaded hollow saddles and **grooved solid saddles** available. See page 15.

EPD5A | EPD5AE electric pumps are recommended for supplying power to DHA cylinders. See pages 52-53



ALUMINIUM CYLINDER



HOLLOW DOUBLE-ACTING
QUICK AND CONTROLLED
RETRACTION



Stroke
Up to 150 mm



Thrust and traction
30 to 100 Tn

HOLLOW DOUBLE-ACTING

DHA

SERIES



Safety First: Best practices recommend not to go beyond **80%** of the rated capacity, nor beyond **80%** of the stroke length.

- Up to 40 % lighter than corresponding steel cylinders.
- All aluminium parts have been treated so as to increase resistance, lengthen service life and prevent rust.
- Built-in safety valve to prevent overpressures.
- Composite metal bearings to withstand side loads and increase the service life of the cylinder.
- Equipped with a scraper in the piston to reduce the infiltration of dirt and to extend the cylinder service life.
- The top head prevents the piston extraction and withstands all the power of the cylinder.
- Handles included in most models.
- Base plate and steel saddle for protection against load-caused damage.
- Interchangeable steel saddles – flat, threaded or solid.
- High-flow female quick plug coupling with dust cover as standard in all models.
- Not recommended for applications with a large number of cycles.
- Longer strokes on demand.

Rated Force	REF.	Stroke	Maximum Force	Usable Cross-Section	Size (mm)														Oil Capacity	Weight	
					A	B	D	E	F	H	I	J	K	O	P	U	V	Y			Z
tn		mm.	kN	cm ²																cm ³	Kg.
33,7	DHA03005	50	330,4	48,1	189	239														241	8,0
	DHA03010	100			239	339	129	90	68	35	45	55	5	M-46x1,5	25	100	M6	33,6	26	481	9,4
	DHA03015	150			289	439															722
59,1	DHA06005	50	579,7	84,40	204	254														422	15,0
	DHA06010	100			254	354	175	125	95	42	47	79	5	M70x1,5	25	130	M6	54	26	844	17,5
	DHA06015	150			304	454															1266
102,2	DHA10005	50	1002	146	233	283														730	30,5
	DHA10010	100			283	383	235	170	130	45	55	116	5	M103x1,5	34	170	M6	79	26	1460	35,1
	DHA10015	150			333	483															2190