

LOCKING NUT

TO SERIES



30

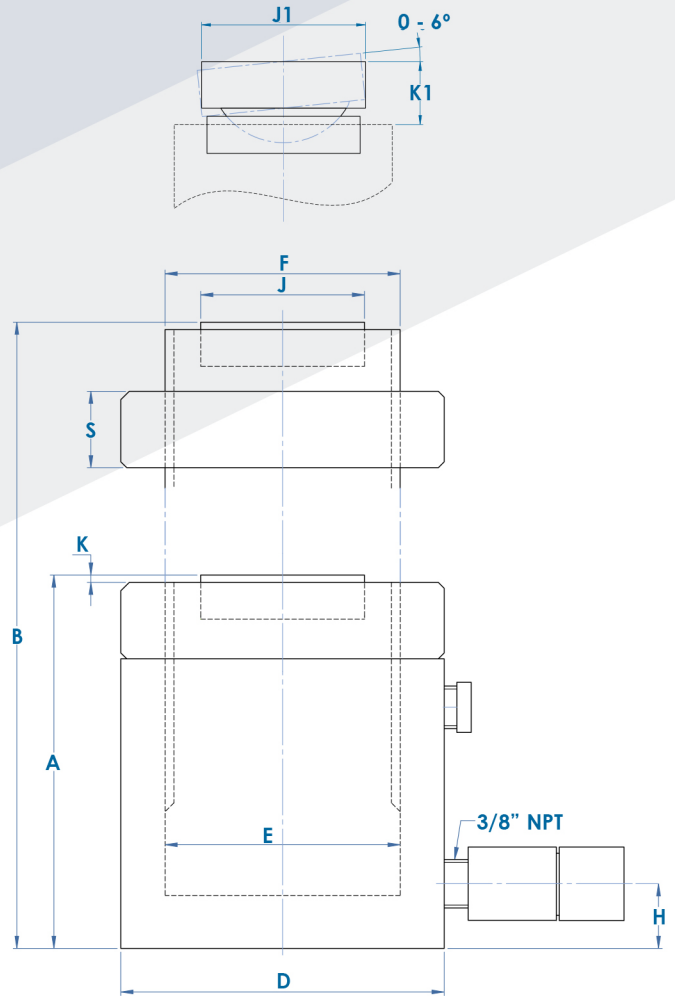


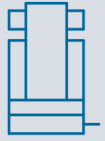
There are **tilt saddles** available for a safer use with non-centred loads and on uneven ground. See page 14.

LOW-HEIGHT CYLINDER WITH LOCKING NUT LOAD RETURN, SINGLE-ACTING

TO

- Safety nut to mechanically restrain the load.
- Designed to withstand up to 10 % of side load with up to 90 % of the complete length of the stroke
- All parts nitrated to prevent rust and increase wear resistance.
- Furnished with a removable and grooved saddle. Optional tilt saddles.
- High-flow female quick plug coupling with dust cover as standard in all models.
- Flush or overflow hole working as a limit switch.
- Longer strokes on demand.





SINGLE ACTING
LOAD RETURN



Stroke
Up to 300 mm



Thrust
30 to 500 Tn

LOCKING NUT
TO
SERIES

Rated Force tn	REF.	Stroke mm.	Maximum Force kN	Usable Cross-Section cm ²	Size (mm)											Oil Capacity cm ³	Weight Kg.
					A	B	D	E	F	J	J1	H	K	K1	S		
30,9	TO03005	50	303,3	44,2	155	205	100	75	TR 75 x4	56	60	23	2	27	25	221	9,3
	TO03010	100			205	305										442	12,3
	TO03015	150			255	405										663	15,3
	TO03020	200			305	505										884	18,2
	TO03030	300			405	705										1.326	24,2
49,6	TO05005	50	486,6	70,9	164	214	125	95	TR 95 x4	74	78	25	2	34	28	355	15,4
	TO05010	100			214	314										709	20,1
	TO05015	150			264	414										1.064	24,7
	TO05020	200			314	514										1.418	29,4
	TO05030	300			414	714										2.127	38,7
92,9	TO10005	50	911,2	132,7	180	230	170	130	TR 130 x6	89	94	30	2	42	36	664	31,1
	TO10010	100			230	330										1.327	39,6
	TO10015	150			280	430										1.991	48,1
	TO10020	200			330	530										2.654	56,6
	TO10030	300			430	730										3.981	73,5
140,7	TO14005	50	1380,2	201,1	203	253	205	160	TR 160 x6	113	138	35	2	49	38	1.006	51,0
	TO14010	100			253	353										2.011	63,4
	TO14015	150			303	453										3.017	75,8
	TO14020	200			353	553										4.022	88,2
	TO14030	300			453	753										6.033	113,1
198,5	TO20005	50	1946,3	283,5	216	266	245	190	TR 190 x6	130	155	45	3	69	44	1.418	77,5
	TO20015	150			316	466										4.253	113,2
	TO20030	300			466	766										8.505	166,7
316,7	TO30005	50	3105,5	452,4	258	308	310	240	TR 240 x6	160	185	53	5	91	50	2.262	147,8
	TO30015	150			358	508										6.786	205,1
	TO30030	300			508	808										13.572	291,6
400,8	TO40005	50	3930,4	572,6	318	368	349	270	TR 270 x6	180	205	86	5	104	58	2.863	231,7
	TO40015	150			418	568										8.589	304,8
	TO40030	300			568	868										17.178	414,5
511,4	TO50005	50	5015,4	730,6	337	387	394	305	TR 305 x6	230	260	88	5	115	68	3.653	313,1
	TO50015	150			437	587										10.959	406,4
	TO50030	300			587	887										21.918	546,3